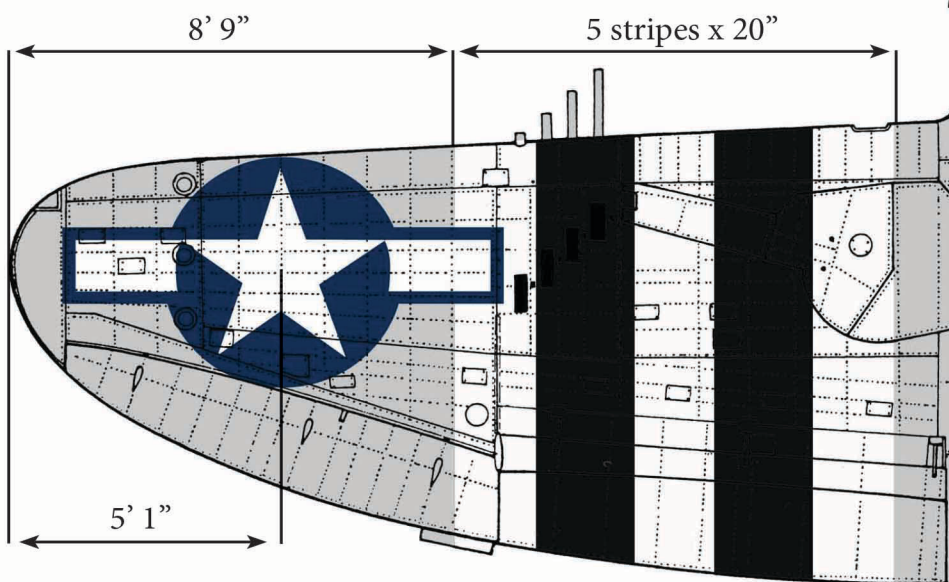
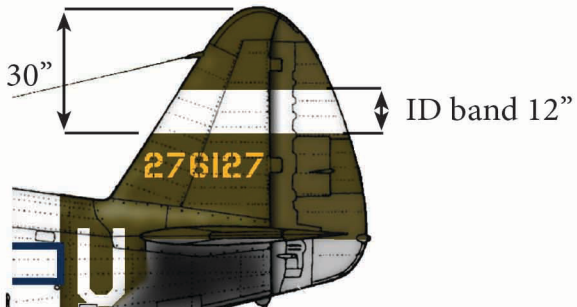
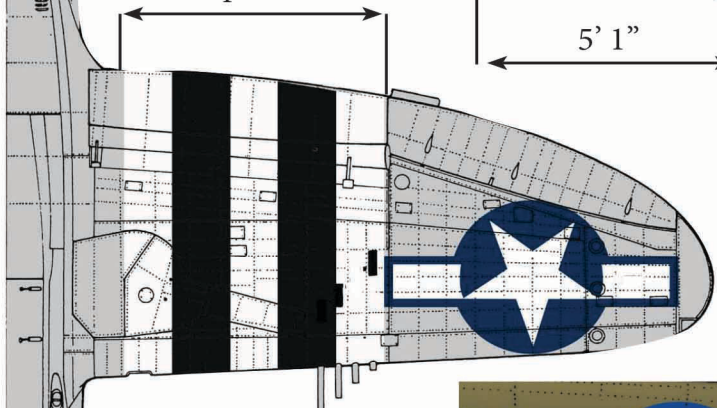


General placement standard 5x20" invasion stripes for 78th FG and 5x18" fuselage invasion stripes I.D. band placement for all a/c. Refer to reference material for variations.

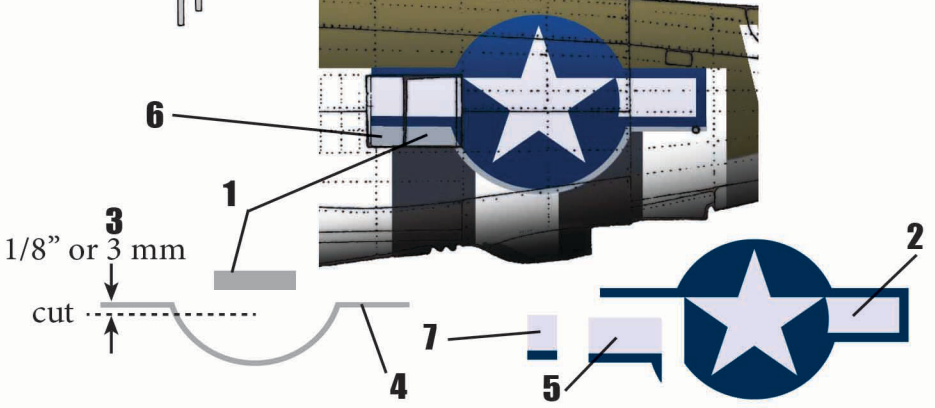


ID band 24"

**Turnip Termite**  
5 stripes x 18"



5 stripes x 18"



**No Guts No Glory and Ozark Queen insignia/NMF decal placement sequence.**

For best results apply version 4 insignia/NMF decals in this order:

1. NMF rectangle decal apply inside lower area of vent.
2. Apply national insignia.
3. NMF insignia outline: 1/8" or 3 mm from NMF outline and discard (opposite for right side).
4. wet NMF outline decal and apply under national insignia.
5. Apply Inner insignia/bar piece into the intercooler vent.
6. Paint intercooler door bottom NMF (Kit# 7L/8R or 9L/10R).
7. Apply Bar to intercooler door.

